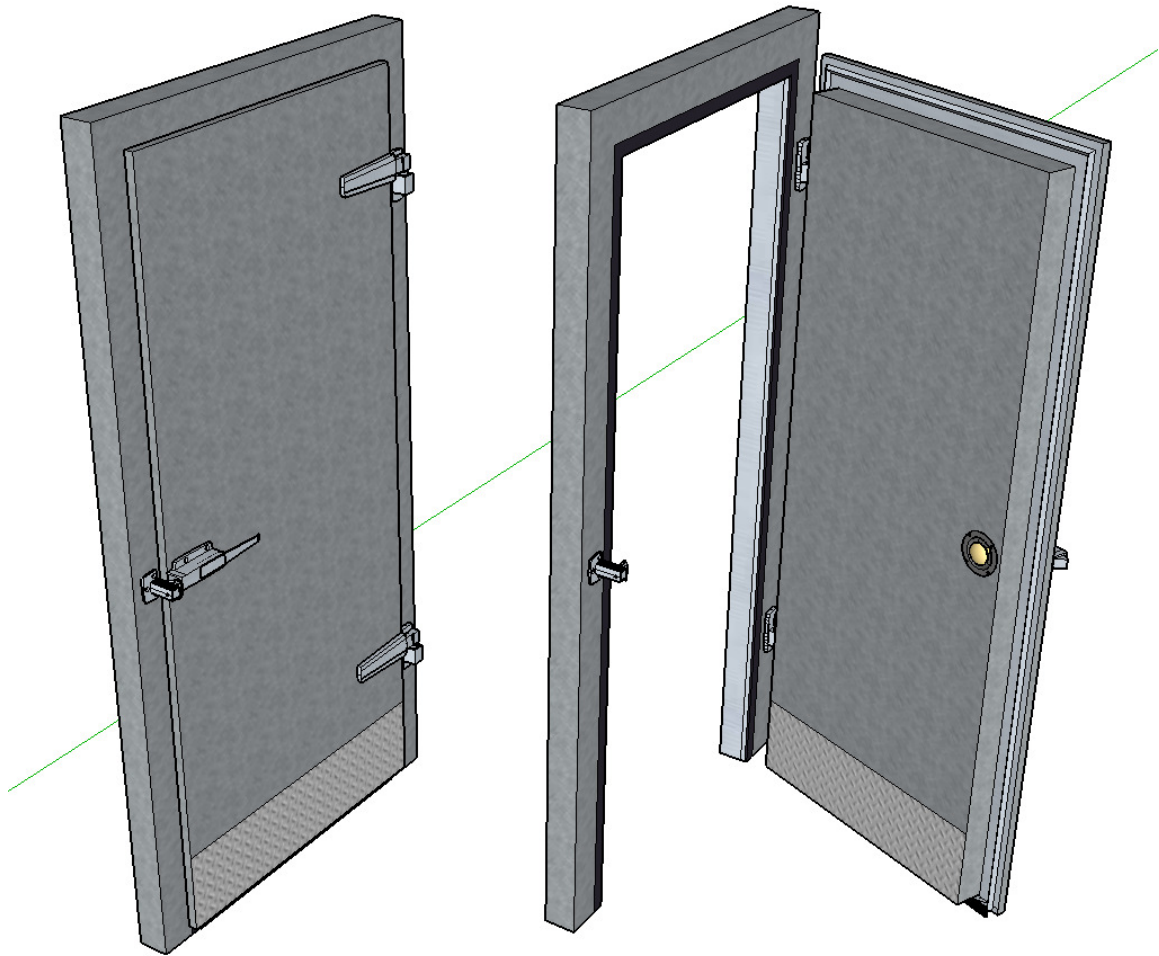


American Cooler

TECHNOLOGIES



Installation Instructions for Replacement Doors

American Cooler Technologies (ACT)

900 Crandall Parkway

Lawrence, MI 49064

269.674.8144

269.674.3561

www.americancooler.com

NOTE: The following instructional packet gives information related to the installation of replacement cooler and freezer doors that are made by American Cooler Technologies. Some information within this manual may not apply to your specific application, it depends upon what was ordered. Please consult with American Cooler Technologies in regards to your specific application.

1. Receiving Instructions:

Your shipment has been carefully examined, reviewed, and packaged before shipping. We fully expect your order to arrive in satisfactory condition. When the shipment was picked up by the freight company at our facility, it was in proper condition, and at which point it became your property. If there are any damages, noticeable or unnoticeable, they must be reported to the freight company within 15 days of receipt of the shipment at your facility to be able to file a freight claim for damage.

If the damage is noticeable, sign for it as “DAMAGED” on the freight bill and have the driver sign the freight bill as well. Once the freight bill has been signed free and clear, we have no recourse from the carrier on shortages or obvious damages and American Cooler Technologies cannot accept responsibility. If there are any questions regarding your order please notify us within 7 days.

If there is damage during transit, but it is not immediately noticeable, leave the item (s) and packing materials “AS IS”. Contact your freight company’s office and ask for an inspection of the shipment. Also contact American Cooler Technologies of your problem.

After inspection has been completed and you have received acknowledgement in writing as to the damages, contact American Cooler Technologies for the action you wish to take to fix the issue. **It is your responsibility to follow the above procedures to ensure the freight company and American Cooler Technologies will honor any damage claims.**

2. Safety Guidelines:

To avoid possible injury when installing the replacement door, please observe the following safety guidelines:

- Wear personnel protective equipment such as: safety glasses, hard hat, gloves, steel toe boots,
- Use proper lifting techniques and handling methods
- Keep work site clear of debris
- Use a certified electrician for any electrical work
- Use a licensed refrigeration company for any refrigeration work
- Follow this installation packet, it is intended to help ensure correct assembly
- If you are uncertain about something contact American Cooler Technologies at 269.674.8144

3. General Tools Required:

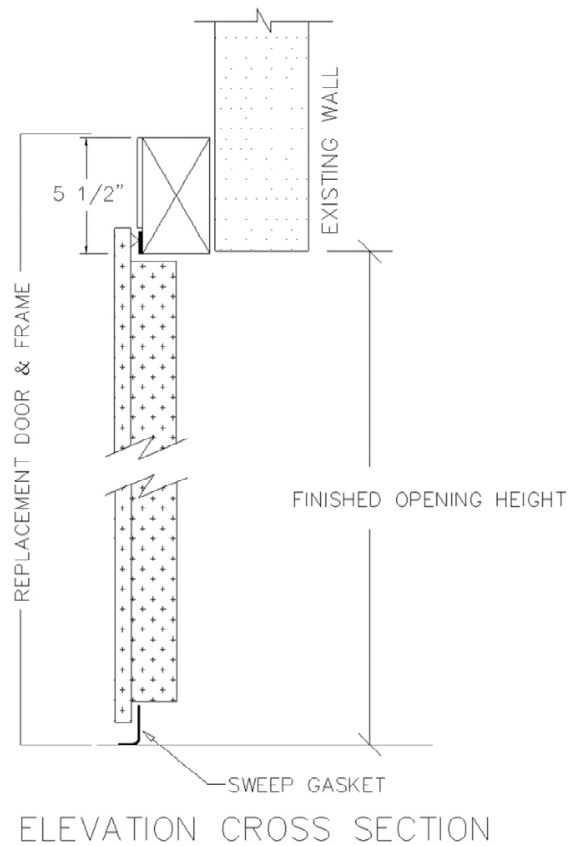
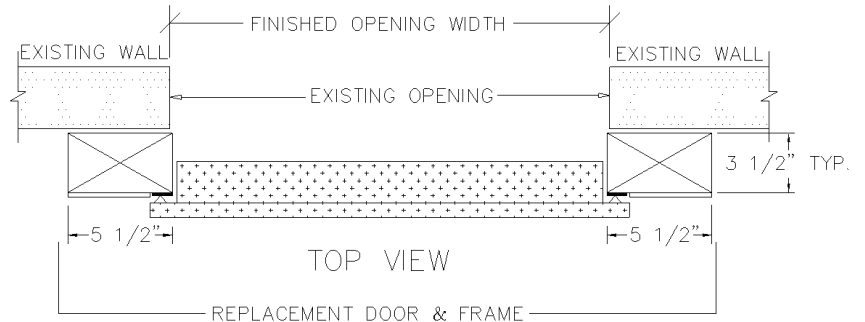
The tools listed below may be required for installation depending on your application:

- Hammer
- Tape measure
- 4’ level
- Caulk gun
- NSF approved sealant
- Socket & wrench set
- Shims
- Cordless drill w/ drill bits

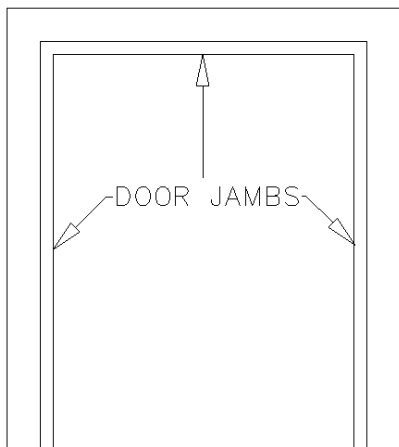
4. Before you Start...:

Check the American Cooler Technologies door frame and door to ensure it is the correct size, type, and finish. The following is a list of things to confirm before you begin:

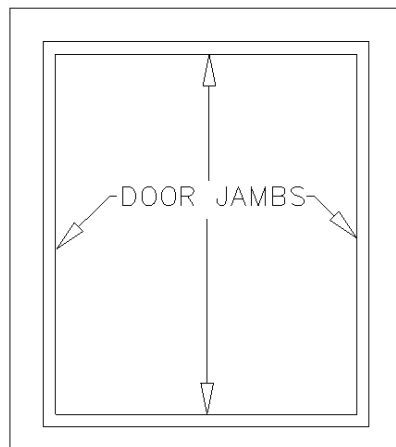
- Dimensions
 - Opening Width
 - Opening Length
- Metal Type and Finish
 - Stucco Galvanized?
 - Stucco White?
 - Smooth White?
 - Stainless Steel?
- Door Frame Style
 - 3-Sided Jamb Door Frame (No Floor)
 - 4-Sided Jamb Door Frame (With Floor)



ELEVATION VIEW (DOORS REMOVED)



3 SIDED JAMB FRAME



4 SIDED JAMB FRAME

5. Preparation of Existing Surface for Attachment

Prepare the existing opening side for surface mount installation. Please remove any objects from the existing exterior wall surface. Ensure that the existing surface is clean, flat, and free of debris. Locate and mark hole locations on the American Cooler Technologies door frame for attachment to existing structure. Holes may be pre-drilled at this time. Before you get ready to attach the frame, apply 2 beads of sealant to the backside of the frame to create a seal (Figure 1).

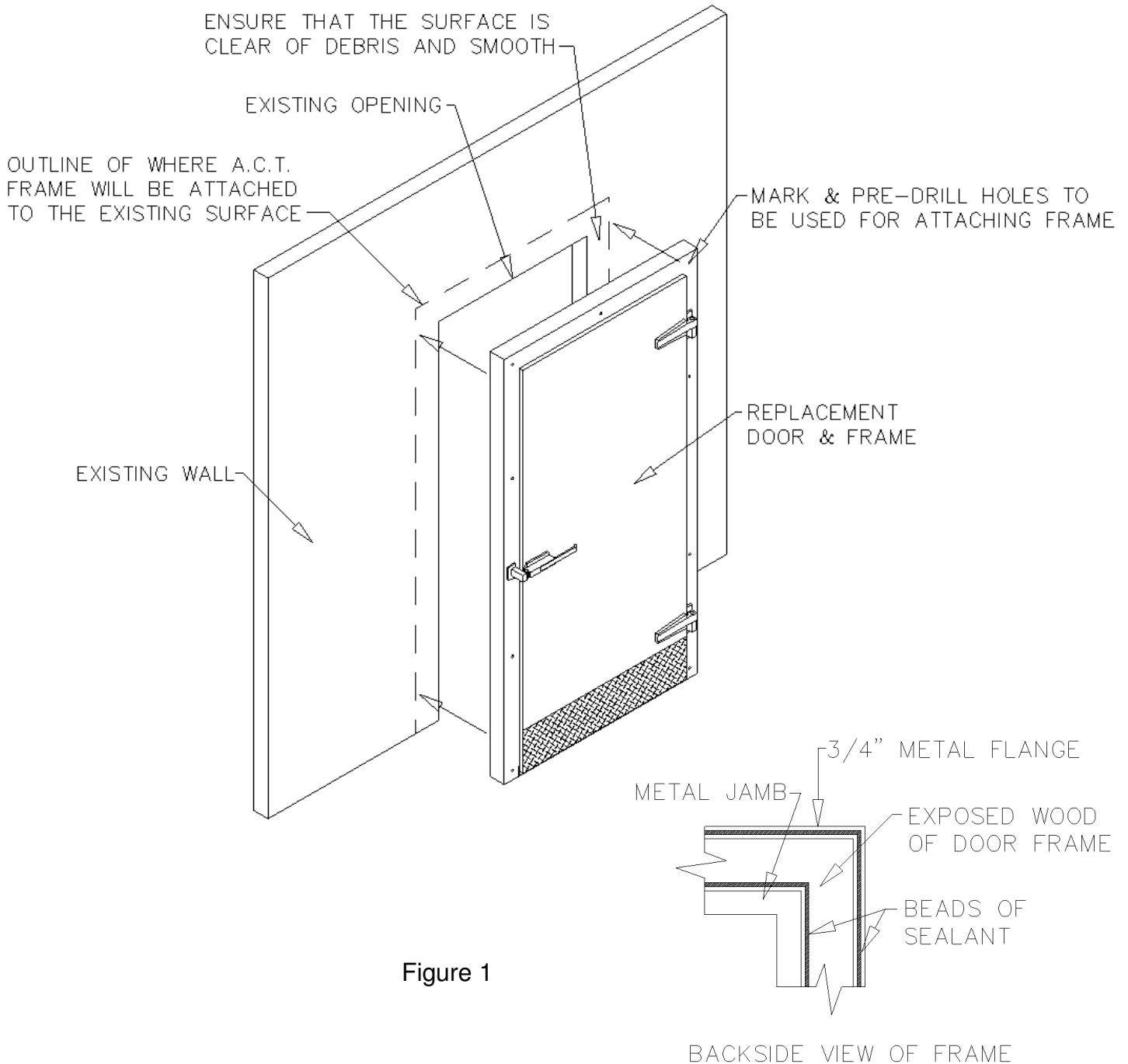


Figure 1

6. Attaching the Frame

To make the installation of the door and door frame go easier, you may wish to remove the door from the door frame that it was shipped in. To do this open the door 90° and then lift the door out of the hinges. Place the door off to the side so you can continue to install the door frame. Remove the wood shipping brace off the bottom of the door frame panel. Once the brace is removed **carefully** position the frame over the existing opening. Next, ensure the existing and new openings are properly aligned. Confirm the door frame is plumb and square. After that, fasten A.C.T. door frame to existing box, by using appropriate fasteners. If the existing structure is a wood frame, use lag bolts, and if the existing structure is not a wood frame, use through bolts. Run a bead of sealant around the perimeter of the frame for best seal (Figure 2).

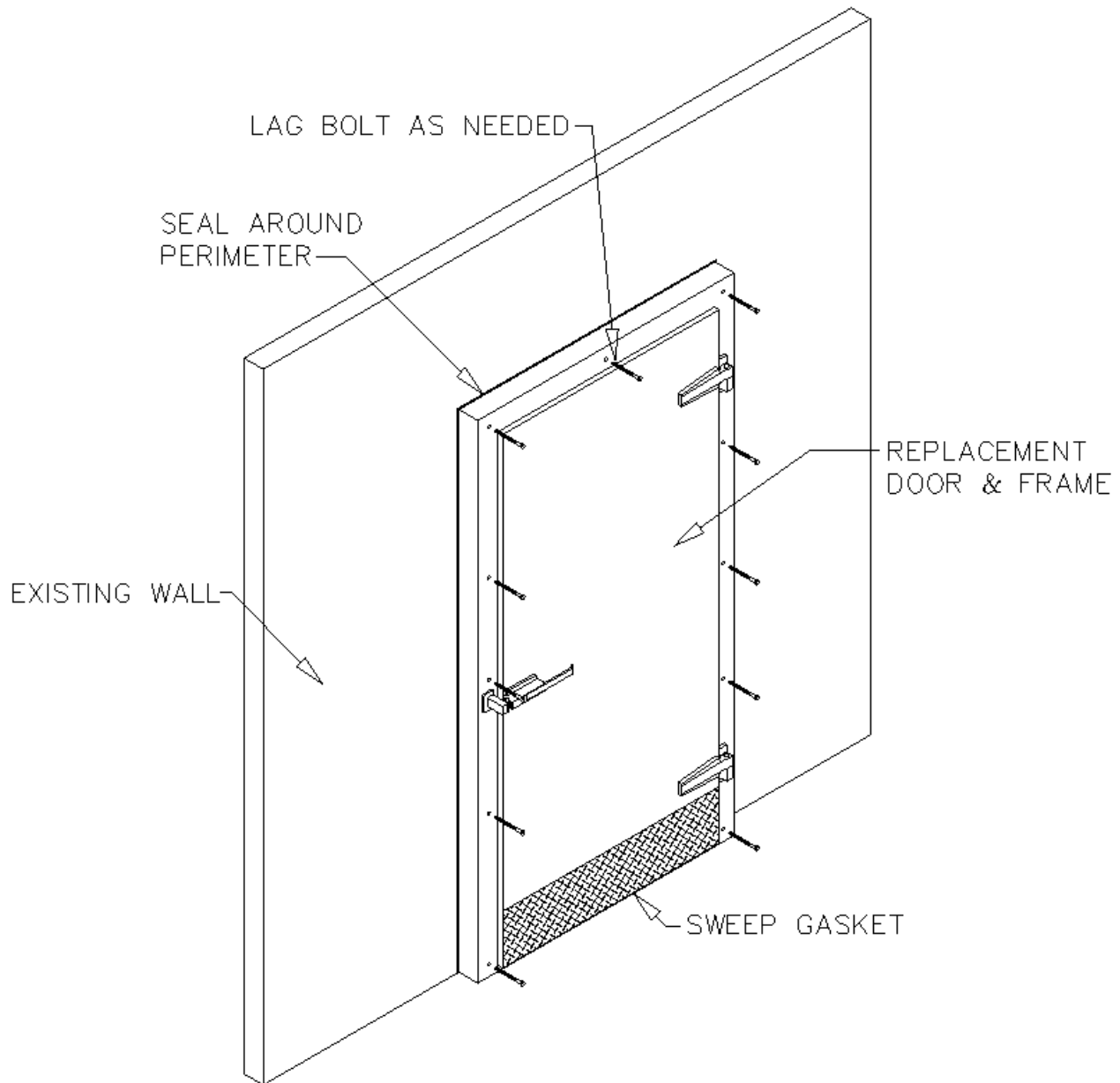


Figure 2

7. Door Sweep Gasket & Strike Adjustment instructions

If you have taken your door off the hinges to install the door frame panel, please reattach it now. If the door has jambs on 3 sides, it will be shipped with a sweep gasket to create a seal on the bottom of the door (If the door has jambs on 4 sides, then disregard this section). When the door is shipped from the manufacturer, the sweep gasket is pre-adjusted to approximately 1" long (Figure 3.1). After installing the door and frame, the sweep gasket may need to be adjusted. You want the sweep gasket approximately 1/8" to 1/4" longer than the gap between the bottom of the door and the finished floor (Figure 3.2). To adjust the sweep gasket, you will need to loosen the screws located on the bottom inside of the door. After loosening the screws, you can adjust the sweep gasket up or down as needed. Retighten screws when finished.

BOTTOM OF DOOR
SIDE VIEW (SHIPPED)

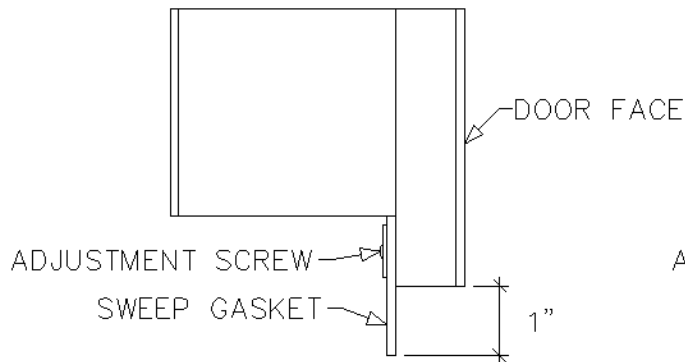


Figure 3.1

BOTTOM OF DOOR
SIDE VIEW (ADJUSTED)

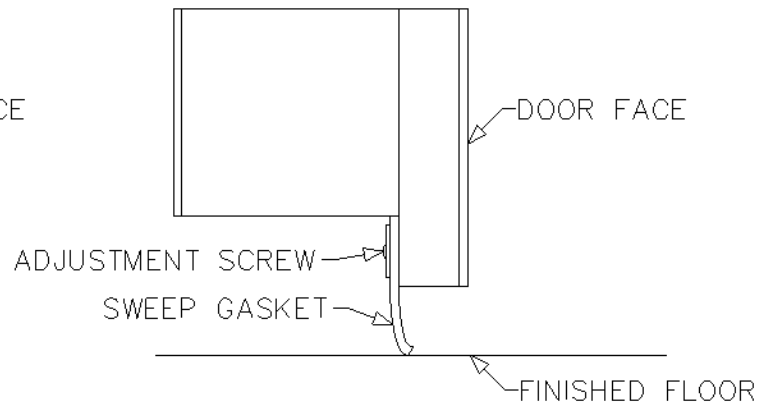
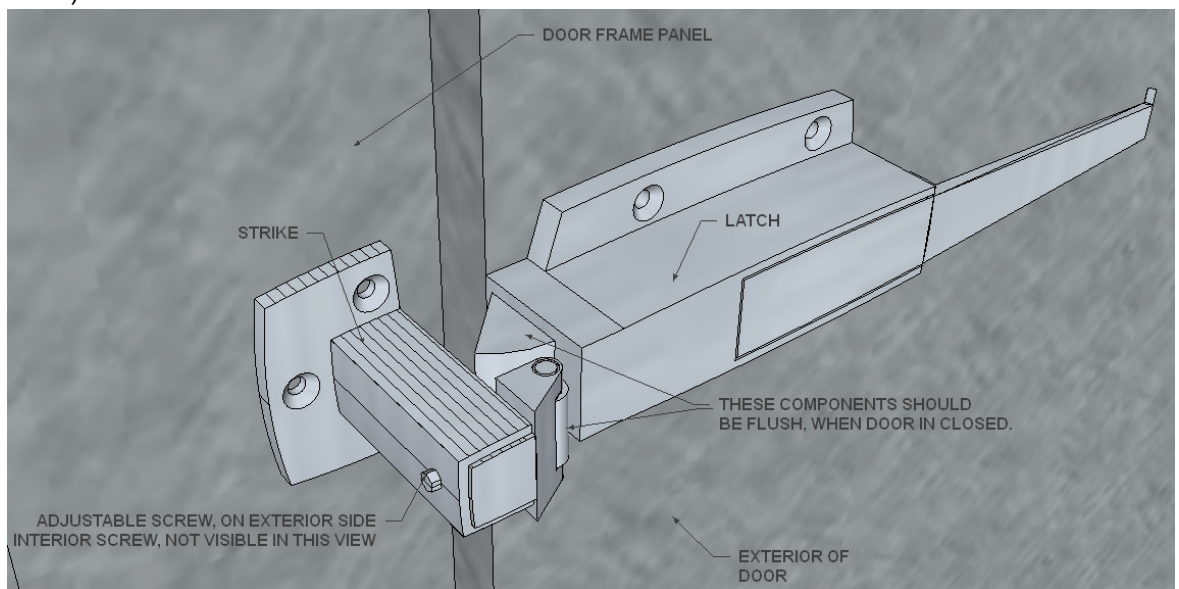


Figure 3.2

In some applications the door strike will need to be adjusted as well, to ensure the door closes properly and maintains a tight seal. To accomplish this, use an adjustable wrench and a 7/16" socket wrench to loosen the screws on the interior and exterior side of the strike. Adjust it as needed so that when the door is shut, the latch and strike create a tight seal to the door gasket (Figure 4).

Figure 4



8. Wiring Information

The following gives information related to our heated components for freezer applications:

- Heated Vents= 120 Volt/23 Watts
- Heater Cable (Located around perimeter of freezer door) = 115 Volt/6.5-7.5 Watts per ft.
- Interior Heated Ramp (Located in bottom 10" of ramp) = 115 Volt/6.5-7.5 Watts per ft.

9. Maintenance

- Wipe up spills immediately with warm water and mild soap. **Do not** use harsh detergents or abrasive cleaners. Dry thoroughly to prevent possible freezing.
- To clean fingerprints or dirt from the door surfaces, use the same procedure as above
- Check and lubricate door hinges with petroleum jelly as needed.
- Periodically check any door hardware, if anything should become loose or malfunction, contact American Cooler Technologies for information, or replacement if necessary.