

Walk-in Refrigeration Products

Model Number: ACT-W28-3400; ACT-W28-3600; ACT-W28-3800

ACT-W28-3400; ACT-W28-3600; ACT-W28-3800

Safety Inside Release Push Handle. Glow-In-The-Dark. Frost Resistant. Fiberglass Rod. Recessed Mount.

Attributes

Knob: Glow-in-the-dark safety green thermoplastic

Flange: Grey thermoplastic

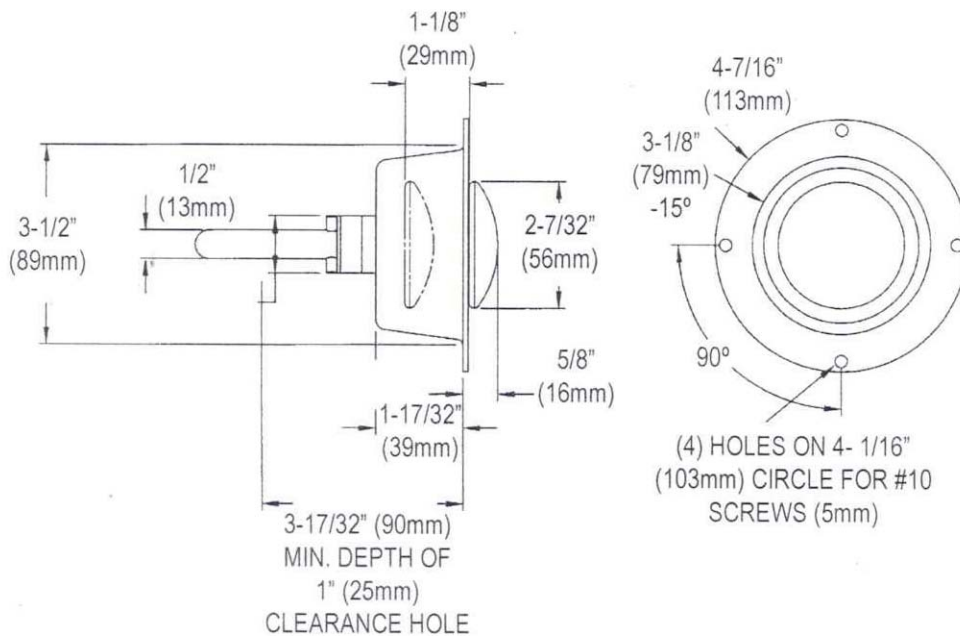
Push Rod: Non-conductive fiberglass reinforced polyester

Door Thickness: 4"

Door Thickness: 6"

Door Thickness: 8"

Interchangeable with Kason #489



4" (100mm)
DOOR THICKNESS